

Catalog Number	
Notes	Type

General Purpose

FEATURES & SPECIFICATIONS

INTENDED USE

Provides general illumination for outdoor spaces in residential and light commercial applications. Ideal for entryways creating an inviting exterior space as well as providing safety and security. Plastic housing makes fixture suitable for coastal applications.

ATTRIBUTES

This contemporary styled wall light features a white finish with a matte white acrylic diffuser. Dusk-to-dawn photocell automatically turns light on at dusk and off at dawn for convenience and energy savings.

Includes (1) 13W compact spiral 2700K fluorescent lamp for energy efficiency, superior color rendering and long life with integrated 120V 60Hz electronic GU24-pin base ballast (ensures no flickering and quiet operation without interfering with other home electronics). (10,000 hrs.) min.

Starts instantly down to 0°F (18°C).

Use with non-dimmable switches only.

All mounting hardware included.

LISTING

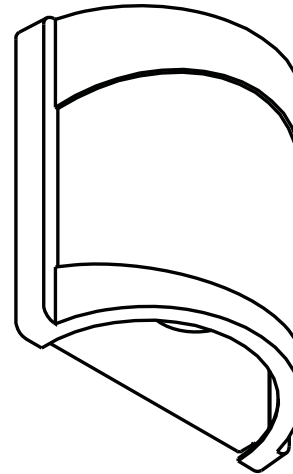
CUL listed to US and Canadian safety standards and suitable for wet locations. ENERGY STAR® qualified.

WARRANTY

Guaranteed for two years against mechanical defects in manufacture (Excludes lamp).

Contemporary Wall Light

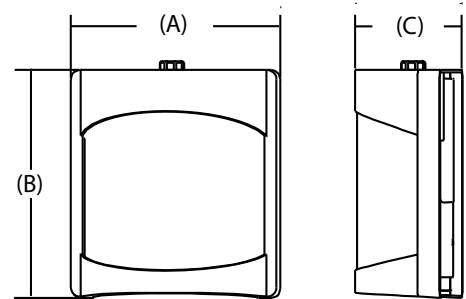
Compact Spiral Fluorescent w/Integrated Ballast



DIMENSIONS

Lamp Configuration	Model Number	Number of Lamps	(A) Width inches (cm)	(B) Length inches (cm)	(C) Extension inches (cm)
	OSWC 13F	(1) 13W compact spiral lamp w/integrated ballast	7-7/8" (20.0)	8" (20.3)	3-3/4" (9.5)

All dimensions are in inches (centimeters)



ORDERING INFORMATION

Choose the boldface catalog nomenclature that best suits your needs and write it on the appropriate line. Order accessories and replacement parts as separate catalog numbers.

Example: **OSWC 13F 120 P LP WH**

OSWC 13F	120	P	LP	WH
Model Number	Ballast/Voltage	Features	Lamp	Finish
OSWC 13F (1) 13W compact spiral 2700K fluorescent lamp w/integrated electronic 120V 60Hz GU24-pin base ballast Included	120 120 volt residential electronic ballast (standard)	P Dusk-to-Dawn photocell	LP Lamp included	WH White

Accessories/Replacement parts

CF13INLB27 GU24	13W compact spiral 2700K fluorescent lamp w/integrated electronic 120V 60Hz GU24-pin base ballast
------------------------	---

Catalog Number
Notes
Type

FEATURES & SPECIFICATIONS

INTENDED USE

Provides maintenance-free general and security illumination for outdoor use in residential and light commercial applications. Ideal for walkways, yards, patios, play areas and driveways creating an inviting exterior space as well as providing safety and security.

CONSTRUCTION

Three tool-free adjustable heads allow for easy aiming up/down or side to side. Rugged cast aluminum, corrosion-resistant housing in bronze or white. Clear acrylic lenses are fully gasketed to keep out moisture, dirt and bugs.

Each head contains (3) 5339K high performance LEDs which maintain 1,719 lumen output at 50,000 hour life. LED driver is 120V and operates at 60Hz.

Dual array motion sensor provides 180° detection with up to 70 feet forward range, and additional downward perimeter protection. Sensitivity and on-time adjustable knobs provide precision control, and the sensor has a manual override option.

INSTALLATION

Wall or eave mount.

All mounting hardware included.

LISTINGS

UL/C-UL Certified to US and Canadian safety standards. Wet location listed.

WARRANTY

Guaranteed for five years against mechanical defects.

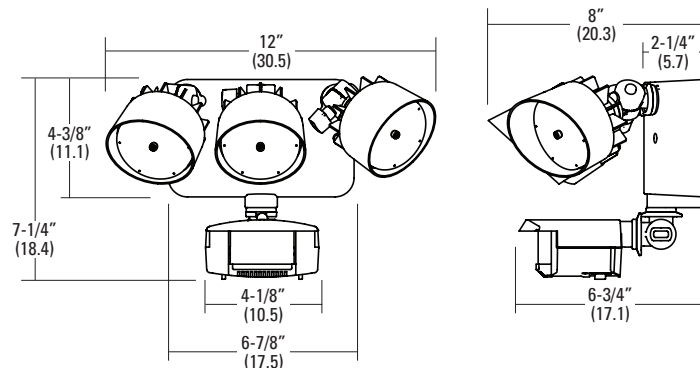
Outdoor General Purpose LED Floodlight with Motion Sensor 3 Adjustable Heads

High Performance LED



Dimensions

All dimensions are inches (centimeters)



ORDERING INFORMATION

For shortest lead times, configure products using **bolded options**.

Example: OFLR 9LC 120 MO BZ

OFLR		9LC		120		MO			
Series		No. of LEDs		Ballast/Voltage		Features		Finish	
OFLR	LED Floodlight	9LC	9 LEDs, 3 heads	120	120V residential electronic ballast	MO	Motion Sensor	BZ	Bronze
								WH	White



Catalog Number	
Notes	Type

Outdoor Decorative

Craftston Flush Mount

Compact Fluorescent



FEATURES & SPECIFICATIONS

INTENDED USE

Provides general illumination for outdoor undercover use in residential and light commercial applications. Ideal for entryways creating an inviting exterior space as well as providing safety and security.

ATTRIBUTES

Arts and crafts styling, this transitionally styled flush mount is available in aged bronze patina finish with white speckled glass diffuser. It has a dusk-to-dawn photocell for added energy efficiency. The Craftston flush mount provides a wide spread even illumination for safety and security. Designed for outdoor use only. Should not be used in areas with limited ventilation or high ambient temperatures.

Includes (2) 18W compact full spiral tube 4-pin 2700K fluorescent lamps for energy efficiency, superior color rendering and long life.

Standard with residential-grade electronic ballast (120 volt, 60Hz) ensures no flickering and quiet operation. Starts instantly down to 0°F (-18°C).

Use with non-dimmable switches only.

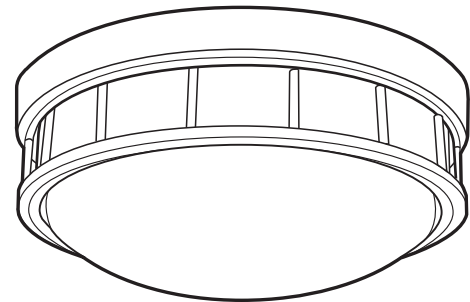
All mounting hardware included.

LISTING

CUL listed to US and Canadian safety standards and suitable for wet locations.

WARRANTY

Guaranteed for two years against mechanical defects in manufacture.

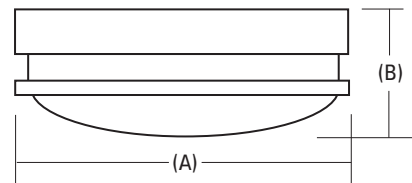


DIMENSIONS

Nominal Size	Lamp Configuration	Model Number	Number of Lamps	(A) Diameter inches (cm)	(B) Extension* inches (cm)
13"		ODLF10	(2) 18W compact full spiral	13" (33.0)	5-1/2" (13.9)

* Maximum extension from ceiling

All dimensions are in inches (centimeters)



ORDERING INFORMATION

Example: **ODLF10 GBZ**

Choose the boldface catalog nomenclature that best suits your needs and write it on the appropriate line. Order accessories and replacement parts as separate catalog numbers.

ODLF10

Model Number	Ballast/Voltage	Finish	Options
ODLF10 (2) 18W compact full spiral 4-pin 2700K fluorescent lamp Included	(blank) 120 volt residential electronic ballast (standard) Other voltage and ballast types (Consult factory)	GBZ Aged bronze patina	(Consult factory)



Catalog Number	
Notes	Type

Indoor Decorative

Futra Linear Design

Linear T8 Fluorescent



FEATURES & SPECIFICATIONS

INTENDED USE

Provides general illumination in residential and light commercial applications. Ideal for use in kitchens, offices, closets, laundry rooms and all rooms in the house.

ATTRIBUTES

Our linear Futra, emphasizes contemporary design to complement decors with modern sensibility while providing warm, inviting light with the latest technology. Simple, sleek cast end caps available in brushed nickel with an extruded white acrylic diffuser.

Utilizes (2) 17W or (2) 32W linear T8 straight tube fluorescent lamps for energy efficiency, superior color rendering and long life (not included).

Standard with 120 volt, 60Hz electronic ballast ensures no flickering and quiet operation without interfering with other electronics. Also available in other ballast configurations.

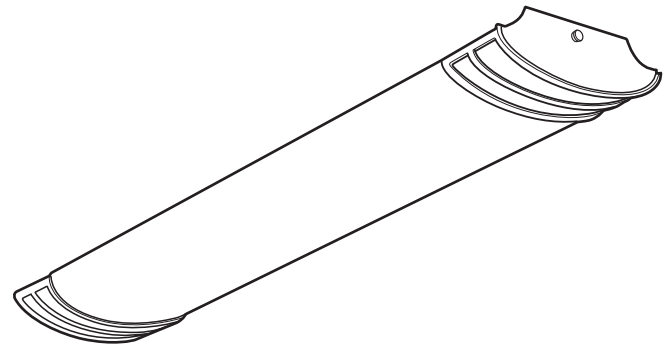
For use with non-dimmable switches only.

LISTING

CUL listed to US and Canadian safety standards and suitable for wet locations. Energy Star® qualified.

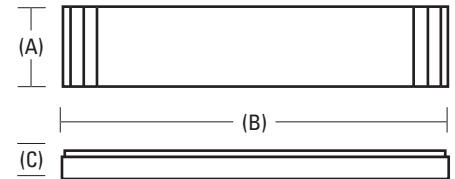
WARRANTY

Guaranteed for two years against mechanical defects in manufacture.



DIMENSIONS

Nominal Size	Lamp Configuration	Model Number	Number of Lamps	(A) Width inches (cm)	(B) Length inches (cm)	(C) Depth* inches (cm)
1'x2'		10815 BN	(2) 17W Linear T8	9-7/8" (25.1)	24-1/2" (62.2)	3-1/2" (8.9)
1'x4'		10813 BN	(2) 32W Linear T8	9-7/8" (25.1)	48-1/2" (123.2)	3-1/2" (8.9)



* Extension from ceiling

All dimensions are in inches (centimeters)

ORDERING INFORMATION

Example: **10813 BN**

Choose the boldface catalog nomenclature that best suits your needs and write it on the appropriate line. Order accessories as separate catalog numbers.

Model Number ¹	Finish	Ballast/Voltage
10815 1'x2' - (2) 17W Linear T8 fluorescent lamps (not included)	BN Brushed Nickel	(blank) 120 volt residential electronic ballast (standard)
10813 1'x4' - (2) 32W Linear T8 fluorescent lamps (not included)		Other voltage and ballast types (Consult factory)

Accessories/Replacement parts

DFAL48 48" White acrylic diffuser

Notes:
1. Lamps not included.

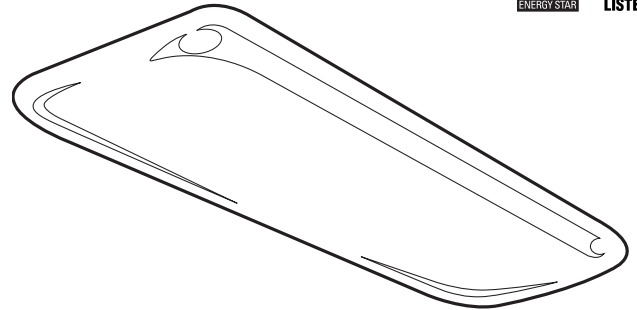


Catalog Number	
Notes	Type

Indoor Decorative Litepuff

Linear Flush Mount

Linear T8 Fluorescent



FEATURES & SPECIFICATIONS

INTENDED USE

Provides general illumination in residential and light commercial applications. Ideal for use in offices and all rooms in the house.

ATTRIBUTES

Decorative contoured distinctive linear design complements a variety of decors. Durable, milk white acrylic diffuser provides wide spread, uniform illumination and allows easy access for cleaning and maintenance. Available in four sizes: 1'x4', 1-1/2'x2', 2'x2', or 1-1/2'x4'.

Utilizes (2) or (4) linear T8 fluorescent lamps for energy efficiency, superior color rendering and long life (not included).

Standard with electronic ballast (120 volt, 60 Hz) ensures no flickering and quiet operation without interfering with other electronics. Also available in other ballast configurations.

For use with non-dimmable switches only.

LISTING

CUL listed (standard) suitable for damp locations and ENERGY STAR® qualified. For non-RE ballast fixtures, UL (standard) and for CSA certified (see options).

WARRANTY

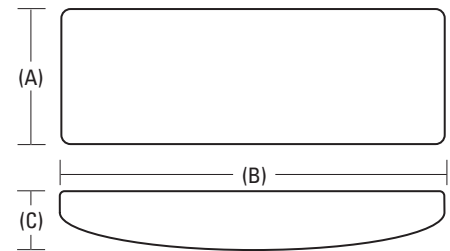
Guaranteed for two years against mechanical defects in manufacture.

DIMENSIONS

Nominal Size	Lamp Configuration	Model Number	Number of Lamps	(A) Width inches (cm)	(B) Length inches (cm)	(C) Extension* inches (cm)
1' x 4'		10640	(2) 32W Linear T8	11-1/4" (28.6)	51-1/2" (130.8)	5-1/2" (14.0)
1-1/2' x 2'		10641	(4) 17W Linear T8	16-5/8" (42.2)	27-1/2" (69.5)	5-1/2" (14.0)
2' x 2'		10651	(2) 31W Linear T8 <i>U31 or U316</i>	27" (68.6)	27-3/8" (69.5)	5-1/2" (14.0)
1-1/2' x 4'		10642	(4) 32W Linear T8	16-5/8" (42.2)	51-1/2" (130.8)	5-1/2" (14.0)

* Extension from ceiling

All dimensions are in inches (centimeters)



ORDERING INFORMATION

Choose the boldface catalog nomenclature that best suits your needs and write it on the appropriate line. Order accessories as separate catalog numbers.

Example: **10640 32 MVOLT GEB**

Model Number ^{1,2}	Residential Ballast ⁴	Ballast/Voltage ⁷	Options
10640 1'x4' (2) 32W Linear T8 fluorescent lamps	RE 120 volt residential electronic ballast (standard)	(blank) RE ballast fixtures only	GEB Electronic ballast, <20%THD
10641 1-1/2'x2' (4) 17W Linear T8 fluorescent lamps	(blank) Other voltage and ballast types available (see ballast/voltage)	MVOLT Multi-volt	GEB10IS T8 electronic ballast, <10% THD, instant start
10651 2'x2' (2) 31W T8 fluorescent U lamps ³		120 120 volt	GEB10RS T8 electronic ballast, 10% THD, rapid start
10642 1-1/2'x4' (4) 32W Linear T8 fluorescent lamps		277 277 volt	CSA CSA Certified ⁸
		347 347 volt	
		Others available: consult factory	Consult factory for other options and accessories
	Lamp⁵		
	(blank) RE ballast fixtures only		
	Non-RE ballast fixtures only		
	17 17W T8 (2' fixtures only)		
	U31 31W T8 (1-5/8" leg) ⁶		
	U316 31W T8 (6" leg) ⁶		
	32 32W T8 (4' fixtures only)		
Accessories/Replacement parts			
DPUFF 1' x 4' white acrylic diffuser			
D15PUFF2 1-1/2' x 2' white acrylic diffuser			
D2PUFF2 2' x 2' white acrylic diffuser			
D15PUFF 1-1/2' x 4' white acrylic diffuser			

Notes:

- Lamps not included.
- Use with non-dimmable switches only.
- Lamp configuration for RE fixtures is standard U316.
- Residential electronic ballast standard and requires RE designation.
- No designation for lamp type is required on RE ballast fixtures.
- Only available with 2'x2' fixtures (Also can be ordered on RE ballast 2x2 fixtures).
- No designation for ballast/voltage type is required on RE ballast fixtures.
- CSA standard on RE ballast fixtures.



Catalog Number	
Notes	Type

FEATURES & SPECIFICATIONS

INTENDED USE

Provides general illumination in residential and commercial applications. Ideal for use as lighting in bathroom/ lavatories, over hospital beds, hallways/ corridors stairways and utility areas.

ATTRIBUTES

Contemporary, distinct wing design complements a variety of decors. Curved etched-glass diffuser complemented by polished brush nickel accents and finials. Diffuser provides a uniform illumination. Finials allow easy access for cleaning and maintenance. Available in 2', 3' and 4' lengths.

Includes (2) Linear T5, 3000K fluorescent lamps for energy efficiency, superior color rendering and long life.

Standard with electronic ballast (120 volt, 60Hz) ensures no flickering and quiet operation without interfering with other home electronics.

For use with non-dimmable switches only.

All mounting hardware included.

LISTING

CUL listed to US and Canadian safety standards and listed, suitable for damp locations. ENERGY STAR® qualified. ADA compliant.

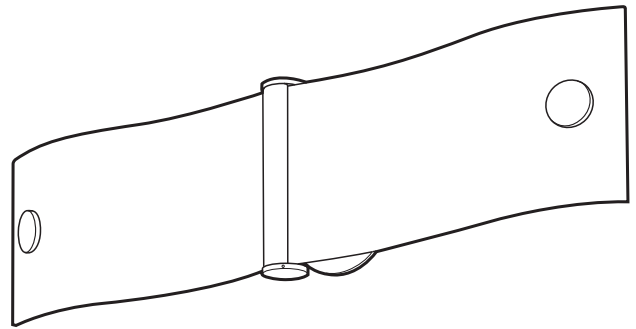
WARRANTY

Guaranteed for two years against mechanical defects in manufacture.

Indoor Decorative

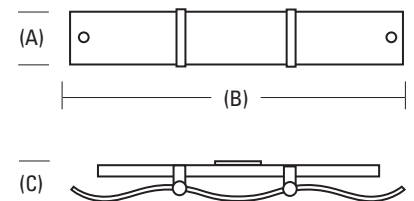
Wing Vanity

Linear T5 Fluorescent



DIMENSIONS

Nominal Size	Lamp Configuration	Model Number	Number of Lamps	(A) Width inches (cm)	(B) Length inches (cm)	(C) Extension* inches (cm)
2'		10842RET5	(2) 14W linear T5	6-9/16" (16.7)	22-5/8" (57.5)	3-1/4" (8.3)
3'		10843RET5	(2) 21W linear T5	6-9/16" (16.7)	37-5/8" (94.3)	3-1/4" (8.3)
4'		10844RET5	(2) 28W linear T5	6-9/16" (16.7)	48-7/8" (121.9)	3-1/4" (8.3)



* Maximum extension from wall

All dimensions are in inches (centimeters)

ORDERING INFORMATION

Example: **10842RET5 BNP**

Choose the boldface catalog nomenclature that best suits your needs and write it on the appropriate line. Order accessories and replacement parts as separate catalog numbers.

Model Number ^{1,2}		Finish	Ballast/Voltage ²	Options
10842RET5	2' - (2) 14W linear T5 3500K fluorescent lamps Included.	BNP Polished brushed nickel	(blank) 120 volt residential electronic ballast (standard)	(Consult factory)
10843RET5	3' - (2) 21W linear T5 3500K fluorescent lamps Included.		Other voltage and ballast types (Consult factory)	
10844RET5	4' - (2) 28W linear T5 3500K fluorescent lamps Included.			

Notes:
 1. **INCLUDES** - (2) linear T5 3500K fluorescent lamps.
 2. Use with non-dimmable switches only.



FEATURES & SPECIFICATIONS

INTENDED USE

Provides general illumination in residential and commercial applications. Ideal for use as lighting in bathroom/ lavatories, over hospital beds, hallways/ corridors stairways and utility areas.

ATTRIBUTES

The definition of urban chic. An etched acrylic diffuser with engraved, geometric design provides widespread uniform illumination. Durable die-cast aluminum ends in either a sleek brushed nickel or black bronze finish compliment the diffuser's geometric design. Decorative matching finials provide easy access for cleaning and maintenance. Available in 2', 3' and 4' lengths.

Includes (2) Linear T5, 3000K fluorescent lamps for energy efficiency, superior color rendering and long life.

Standard with electronic ballast (120 volt, 60Hz) ensures no flickering and quiet operation without interfering with other home electronics.

For use with non-dimmable switches only.

LISTING

CUL listed to US and Canadian safety standards and listed, suitable for damp locations. ENERGY STAR® qualified. ADA compliant.

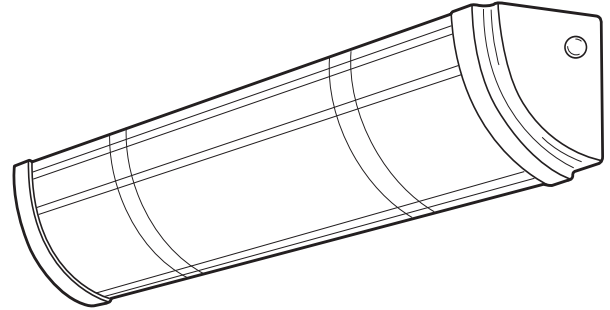
WARRANTY

Guaranteed for two years against mechanical defects in manufacture.

Catalog Number	
Notes	Type

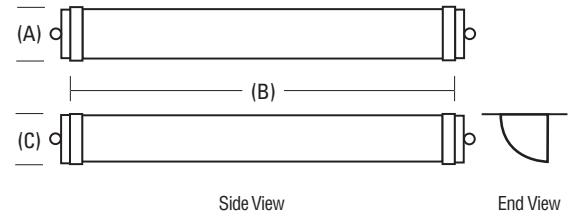
Indoor Decorative Metro Etched Diffuser Vanity

Linear T5 Fluorescent



DIMENSIONS

Nominal Size	Lamp Configuration	Model Number	Number of Lamps	(A) Width inches (cm)	(B) Length inches (cm)	(C) Extension* inches (cm)
2'		11727RET5	(2) 14W linear T5	3-1/2" (8.9)	25" (63.5)	3-7/8" (9.6)
3'		11728RET5	(2) 21W linear T5	3-1/2" (8.9)	36-3/4" (93.3)	3-7/8" (9.6)
4'		11729RET5	(2) 28W linear T5	3-1/2" (8.9)	47-7/8" (121.6)	3-7/8" (9.6)



* Extension from ceiling/wall

All dimensions are in inches (Centimeters)

ORDERING INFORMATION

Example: **11727RET5 BN**

Choose the boldface catalog nomenclature that best suits your needs and write it on the appropriate line. Order accessories and replacement parts as separate catalog numbers.

Model Number ^{1,2}		Finish	Ballast/Voltage	Options
11727RET5	2' (2) 14W linear T5 3000K fluorescent lamps Included	BN Brushed nickel	(blank) 120 volt residential electronic ballast (standard)	(Consult factory)
11728RET5	3' (2) 21W linear T5 3000K fluorescent lamps Included	BZ Black bronze		
11729RET5	4' (2) 28W linear T5 3000K fluorescent lamps Included			

Notes:

- INCLUDES** - (2) linear T5 3000K fluorescent lamps.
- Use with non-dimmable switches only.



Catalog Number	
Notes	Type

Indoor Decorative Litepuff Vanity

Linear T8 Fluorescent



FEATURES & SPECIFICATIONS

INTENDED USE

Provides general illumination for residential and commercial applications. Ideal for use as lighting in bathroom/lavatories, over hospital beds, hallways/corridors stairways and utility areas.

ATTRIBUTES

A distinctive contoured design complements a variety of decors. Durable milk-white acrylic diffuser provides a widespread uniform illumination. Suitable for vertical or horizontal mounting. Available in 2', 3' and 4' lengths.

Utilizes linear T8 fluorescent lamps for energy efficiency, superior color rendering and long life (not included).

Standard with electronic ballast (120 volt, 60Hz) ensures no flickering and quiet operation without interfering with other electronics. Also available in other ballast configurations.

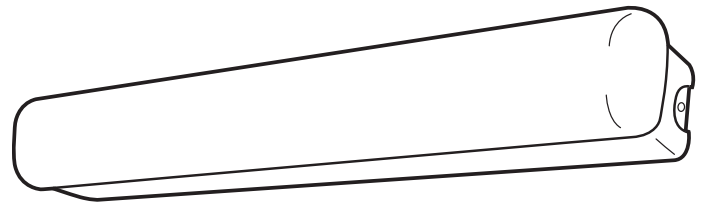
For use with non-dimmable switches only.

LISTING

CUL listed to US and Canadian safety standard on Residential Electronic (RE) ballast fixtures and suitable for damp locations. ENERGY STAR® qualified. ADA compliant. For Non-RE ballast, UL and CSA (standard) for NOM Certified see options.

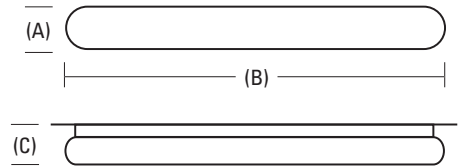
WARRANTY

Guaranteed for two years against mechanical defects in manufacture.



DIMENSION

Nominal Size	Lamp Configuration	Model Number	Number of Lamps	(A) Width inches (cm)	(B) Length inches (cm)	(C) Extension* inches (cm)
2'		11890	(2) 17W linear T8	5" (12.7)	27" (68.6)	4" (10.2)
3'		11891	(2) 25W linear T8	5" (12.7)	39" (99.1)	4" (10.2)
4'		11892	(2) 32W linear T8	5" (12.7)	51" (129.5)	4" (10.2)



* Extension from wall

All dimensions are in inches (centimeters)

ORDERING INFORMATION

Choose the boldface catalog nomenclature that best suits your needs and write it on the appropriate line. Order accessories and replacement parts as separate catalog numbers.

Example: **11892RE**

Model Number ^{1,2}	Residential Ballast ³	Ballast/Voltage ⁴	Options
11890 2' - (2) 17W T8 fluorescent lamps required	RE 120 volt residential electronic ballast (standard)	(blank) RE ballast fixtures only	GEB Electronic ballast, <20%THD
11891 3' - (2) 25W T8 fluorescent lamps required	(blank) Other voltage and ballast types available (see ballast/voltage)	MVOLT Multi-volt	GEB10IS T8 electronic ballast, <10% THD, instant start
11892 4' - (2) 32W T8 fluorescent lamps required		120 120 volt 277 277 volt 347 347 volt	GEB10RS T8 electronic ballast, 10% THD, rapid start
		Others voltage and ballast types (consult factory)	NOM NOM Certified

(Consult factory for other options)

Accessories/Replacement parts

DVANPUFF 24	24" white acrylic diffuser
DVANPUFF 36	36" white acrylic diffuser
DVANPUFF 48	48" white acrylic diffuser

- Notes:
- Lamps not included.
 - Use with non-dimmable switches only.
 - Residential electronic ballast standard and requires **RE** designation.
 - No designation for lamp type is required on **RE** ballast fixtures.



Catalog Number	
Notes	Type

FEATURES & SPECIFICATIONS

INTENDED USE

Provides general illumination in residential and light commercial applications. Ideal for use in foyers, hallways, bedrooms, offices, utility work areas, stairways, and many other rooms in the house. Flush mount are preferred on lower ceilings, while semi-flush lights are ideal on medium to high ceilings.

ATTRIBUTES

Contemporary style fixture. Twin steel rings surround a dropped durable, milk-white acrylic diffuser. Complemented with matching finials in either a brushed nickel or antique bronze finish. Diffuser provides widespread illumination. Available in two sizes: 13" or 16" diameters. Fixture can be flush or semi-flush mounted, matching brushed nickel canopy and stems included for semi-flush mounting. Finials provide easy access for cleaning and maintenance.

Includes 26W compact double twin tube (DTT) 4-pin 3500K fluorescent lamp(s) for energy efficiency, superior color rendering and long life.

Standard with electronic ballast (120 volt, 60Hz) ensures no flickering and quiet operation without interfering with other home electronics.

Use with non-dimmable switches only.

All mounting hardware included.

LISTING

CUL listed to US and Canadian safety standards and suitable for damp locations. ENERGY STAR® qualified.

WARRANTY

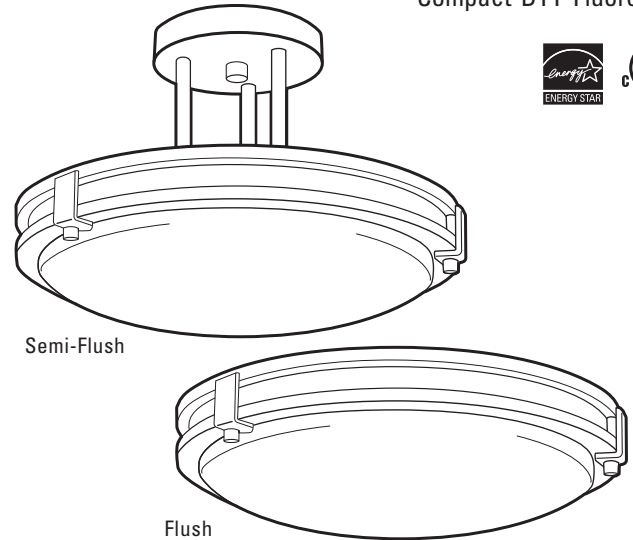
Guaranteed for two years against mechanical defects in manufacture.

Indoor Decorative

Saturn

Flush/Semi-Flush Mount

Compact DTT Fluorescent

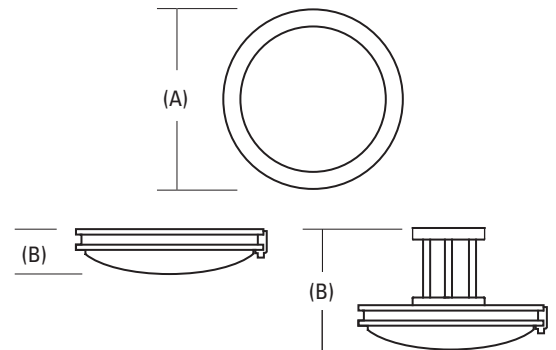


DIMENSIONS

Nominal Size	Lamp Configuration	Model Number	Number of Lamps	Mounting Configuration	(A) Width inches (cm)	(B) Extension* inches (cm)
13" dia		11750	(1) 26W compact (DTT)	Flush	13" (30.5)	3-1/8" (7.9)
				Semi-flush	13" (30.5)	8-3/8" (21.3)
16" dia		11752	(2) 26W compact (DTT)	Flush	16" (40.6)	3-1/4" (8.3)
				Semi-flush	16" (40.6)	8-5/8" (21.9)

* Extension from ceiling

All dimensions are in inches (centimeters)



ORDERING INFORMATION

Choose the boldface catalog nomenclature that best suits your needs and write it on the appropriate line. Order accessories as separate catalog numbers.

Example: **11750 BN**

Model Number ¹	Finish	Ballast/Voltage ²	Options
11750 13" diameter - (1) 26W compact (DTT) 4-pin 3500K fluorescent lamp Included	BN Brushed nickel BZA Antique bronze	(blank) 120 volt residential electronic ballasts (standard)	(Consult factory)
11752 16" diameter - (2) 26W compact (DTT) 4-pin 3500K fluorescent lamps Included		Other voltage and ballast types (Consult factory)	

Accessories/Replacement parts

CF26QT35 4PIN R6	26W compact (DTT) 4-pin 3500K fluorescent lamp ³
DSATN13	13" Glass diffuser, milk white
DSATN16	16" Glass diffuser, milk white

Notes:

- INCLUDES** - 26W compact (DTT) 4-pin 3500K fluorescent lamp(s).
- Use with non-dimmable switches only.
- Retail pack must be ordered in increments of 6.



Catalog Number	
Notes	Type

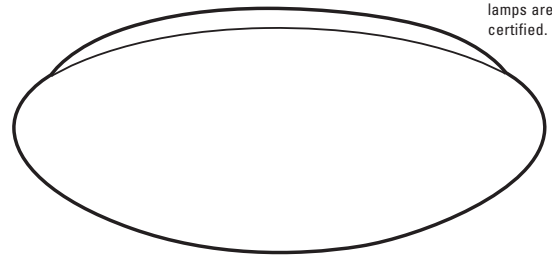
Indoor Decorative

Low Profile Round Flush Mount

Circline T9 or Compact DTT Fluorescent



* Only fixtures that include lamps are ENERGY STAR® certified.



FEATURES & SPECIFICATIONS

INTENDED USE

Provides general illumination in residential and light commercial applications. Ideal for use in foyers, hallways, bedrooms, offices, utility work areas, stairways and many other rooms in the house.

ATTRIBUTES

The beauty of simplicity in low profile styled, round, stay-white, acrylic diffuser, available in four sizes: 11", 14", 19" or 24". These fixtures provide an attractive low-cost lighting solution for every room in the home. Hidden cam-latches provide easy diffuser removal for installation and maintenance.

Fixtures available with lamps and without lamps. Fixtures without lamps are available in either compact double twin tube (DTT) 4-pin or circline T9 fluorescent lamp(s) configurations. Fixtures with lamps include circline T9 4100K fluorescent lamp(s) for energy efficiency, superior color rendering long life.

Standard with electronic ballast (120 volt, 60Hz) ensures no flickering and quiet operation without interfering with other home electronics. For use with non-dimmable switches only.

All mounting hardware included.

LISTING

CUL listed to US and Canadian safety standards and suitable for damp locations. Fixtures with lamps are ENERGY STAR® certified.

WARRANTY

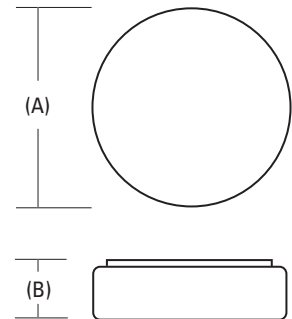
Guaranteed for two years against mechanical defects in manufacture. (excludes lamps)

DIMENSIONS

Nominal Size	Lamp Configuration	Model Number	Number of Lamps	(A) Width inches (cm)	(B) Extension* inches (cm)
11" dia		FM22 ACLR LP	(1) 22W circline T9	11" (27.9)	3-1/4" (8.3)
		FMLR22	(1) 22W circline T9	11" (27.9)	3-1/4" (8.3)
		FMLR11 2 13 DTT	(2) 13W compact DTT	11" (27.9)	3-1/4" (8.3)
14" dia		FM54 ACLR LP	(1) 22W & (1) 32W circline T9	13-3/4" (34.8)	3-1/2" (8.9)
		FMLR54	(1) 22W & (1) 32W circline T9	13-3/4" (34.8)	3-1/2" (8.9)
		FMLR14 2 18 DTT	(2) 18W compact DTT	13-3/4" (34.8)	3-1/2" (8.9)
19" dia		FM72 ACLR LP	(1) 32W & (1) 40W circline T9	19-1/4" (47)	3-5/8" (9.2)
		FMLR72	(1) 32W & (1) 40W circline T9	19-1/4" (47)	3-5/8" (9.2)
		FMLR19 3 26 DTT	(3) 26W DTT	19-1/4" (47)	3-5/8" (9.2)
24" dia.		FMXLR 72	(1) 32W & (1) 40W circline T9	24" (61)	4-3/4" (12)

* Extension from ceiling

All dimensions are in inches (centimeters)



ORDERING INFORMATION

Example: **FM22 ACLR LP**

Choose the boldface catalog nomenclature that best suits your needs and write it on the appropriate line. Order accessories and replacement parts as separate catalog numbers.

Model Number¹	Options

11" diameter	
FM22 ACLR LP	(1) 22W circline T9 lamp Included²
FMLR 22	(1) 22W circline T9 lamp Required³
FMLR11 2 13 DTT	(2) 13W compact (DTT) lamp(s) Required
14" diameter	
FM54 ACLR LP	(1) 22W & (1) 32W circline T9 lamp(s) Included²
FMLR 54	(1) 22W & (1) 32W circline T9 lamp Required³
FMLR14 2 18 DTT	(2) 18W compact (DTT) lamp(s) required Required³
19" diameter	
FM72 ACLR LP	(1) 32W & (1) 40W circline T9 lamp(s) Included²
FMLR 72	(1) 32W & (1) 40W circline T9 lamp Required³
FMLR19 3 26 DTT	(3) 26W compact (DTT) lamp(s) required Required³
24" diameter	
FMLXR	(1) 32W & (1) 40W circline T9 lamps Included²

Options	

(Consult factory)

Notes:

- Use with non-dimmable switches only.
- INCLUDES** - circline T9 4100K fluorescent lamp(s)
- Lamp(s) not included. Not ENERGY STAR qualified.



More saving. More doing.™



Click the main window to zoom and recenter the image or use the view window below.



+ IN

- OUT

RESET